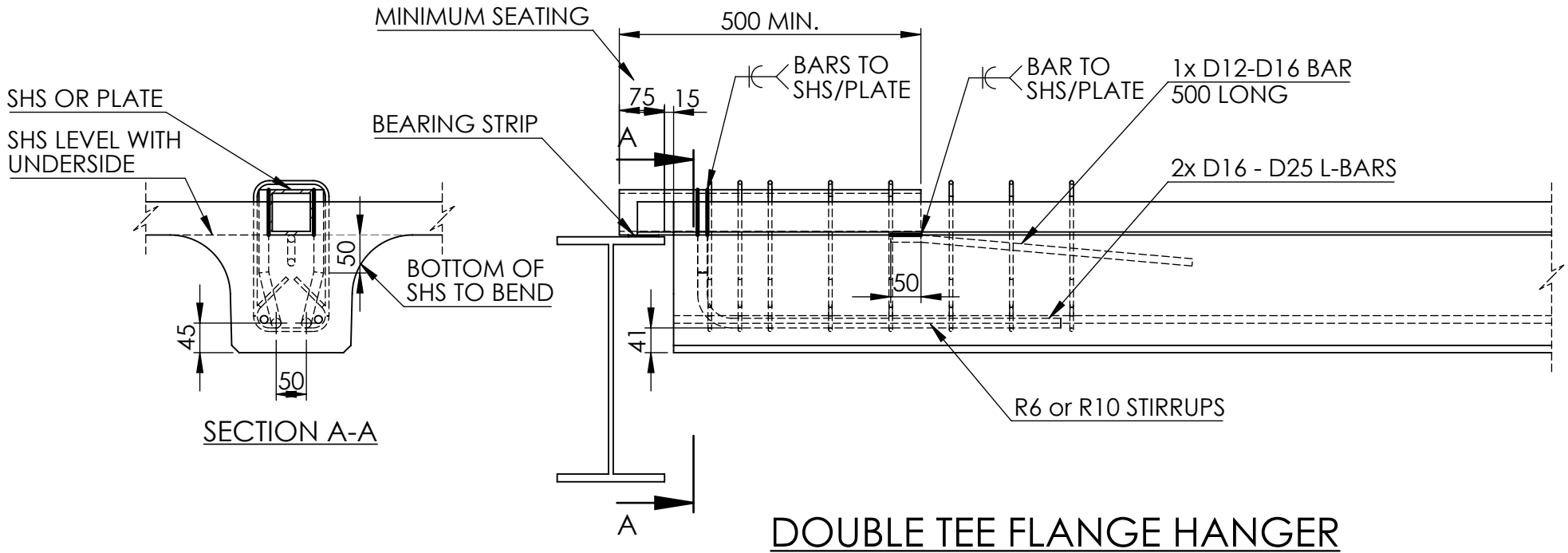


NOTE: HANGER DESIGN SUBJECT TO SPECIFIC DESIGN REQUIREMENTS AS PER PROJECT



Drawing: Double Tee Hanger

Drawn: FM

Scale: 1:10 A4

Date: 13/02/2019

Checked: JM

Revision: A

