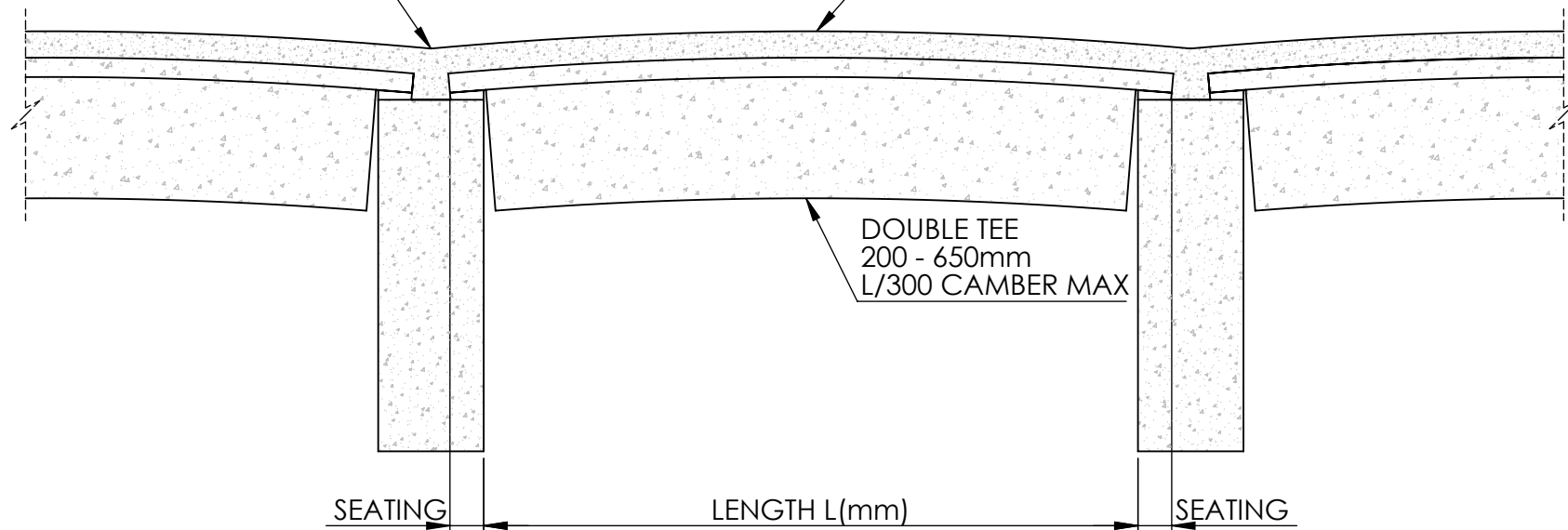


ALLOW FOR INCREASED TOPPING
AT SUPPORT DUE TO CAMBER

75mm MIN. TOPPING
THICKNESS AT MID SPAN



DOUBLE TEE
200 - 650mm
L/300 CAMBER MAX

SEATING

LENGTH L(mm)

SEATING

DOUBLE TEE CAMBER (HOG) ALLOWANCE

Drawing: Double Tee Camber

Drawn: FM

Scale: N.T.S

Date: 13/02/2019

Checked: JM

Revision: A