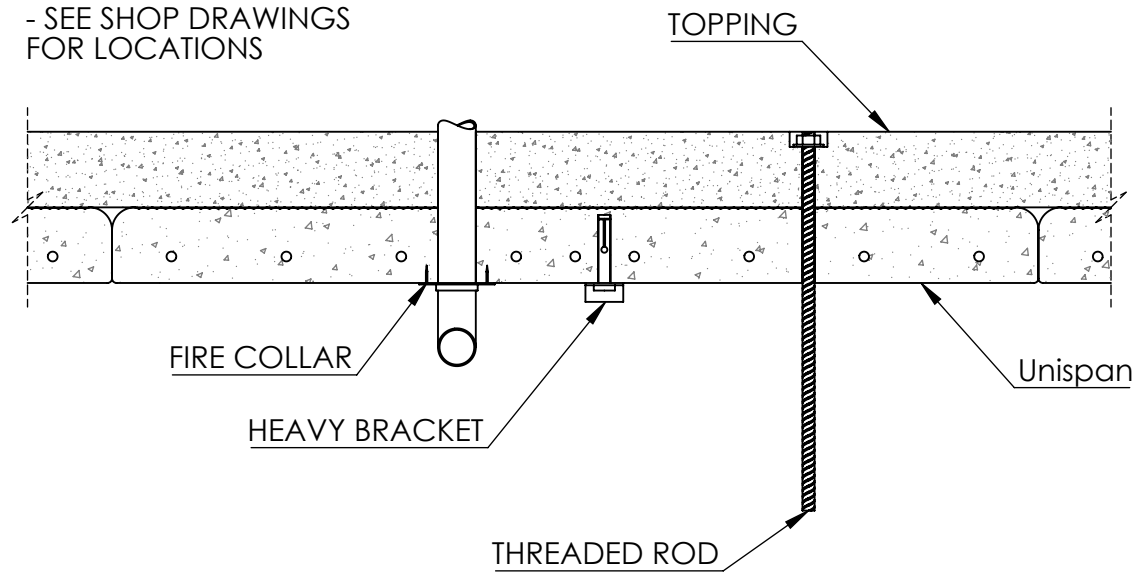


NOTE: POSITION FIXINGS
TO MISS STRANDS
- SEE SHOP DRAWINGS
FOR LOCATIONS



FIXING TO UNISPAN

Drawing: Unispan Fixings

Drawn: FM

Scale: 1:10 A4

Date: 13/02/2019

Checked: JM

Revision: A